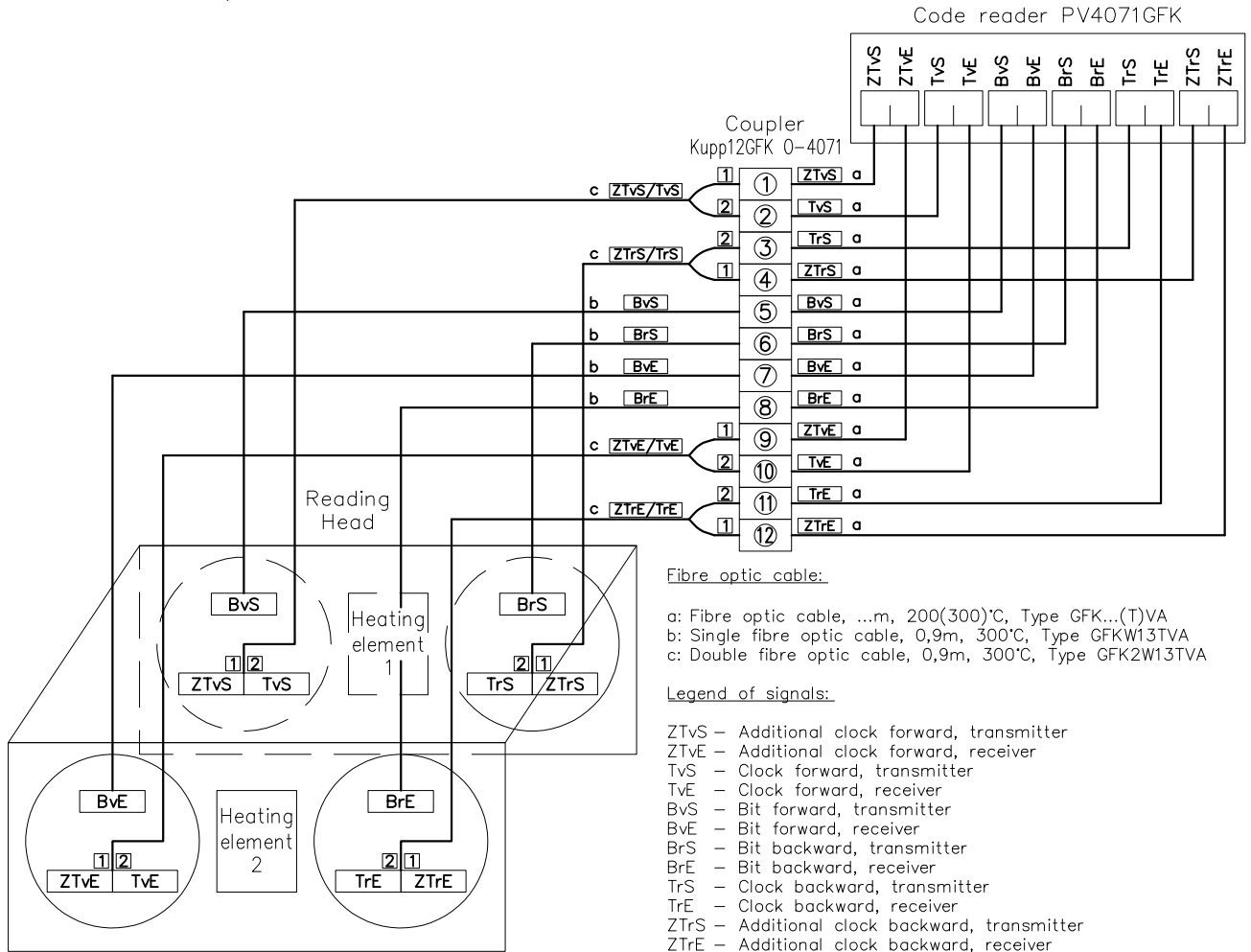
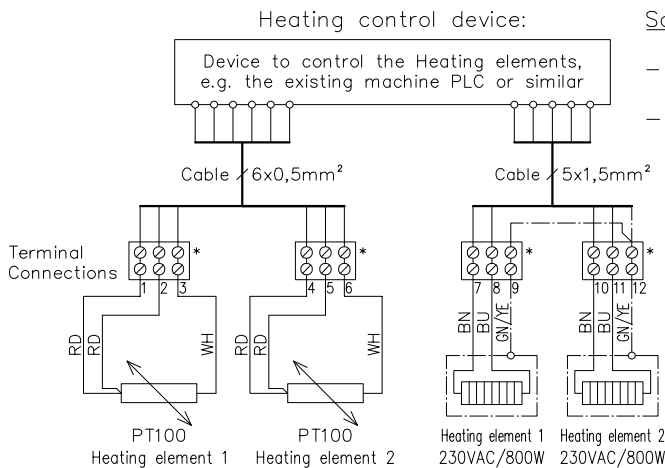


Connection Diagram Reading Heads, Type 307.144 & 309.789

Connection of Fibre Optic Cable:



Electrical Connection:



Safety information:

- Do not use the Heating elements without a control device!
- $\vartheta_{max} = 65^{\circ}\text{C}$

*: You have to remove the Coupler (Kupp12GFK 0-4071) first to connect the terminal connections