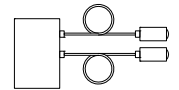
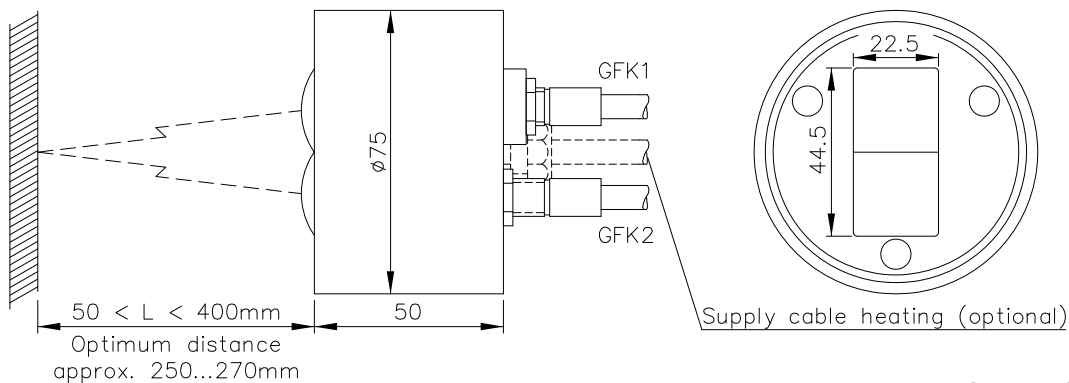


Diffuse-Reflective Sensor for Fibre Optic Cables Type Y4/320GFK



$50 < L < 400\text{mm}$

Diffuse-Reflective
Sensor for
Fibre Optic Cables

Y4/320GFK

Order no.:

8174

Scale 1:2
All dimensions in mm!

Technical Characteristics:

Housing	Aluminium
Weight	approx. 500g without fibre-optik cable
Protection mode	IP66
Supply (optional heating)	24VDC/~800mA
Connection (opt. heating)	Teflon-cable $2 \times 0.25\text{mm}^2$ brown: +24V white: 0V
Ambient temperature	-25...+200°C

Features:

Heating, hz
Diaphragms

Accessories:

Fibre optic cables GFK...Si (2x)
Anti dust tube TUB75*01
Control unit