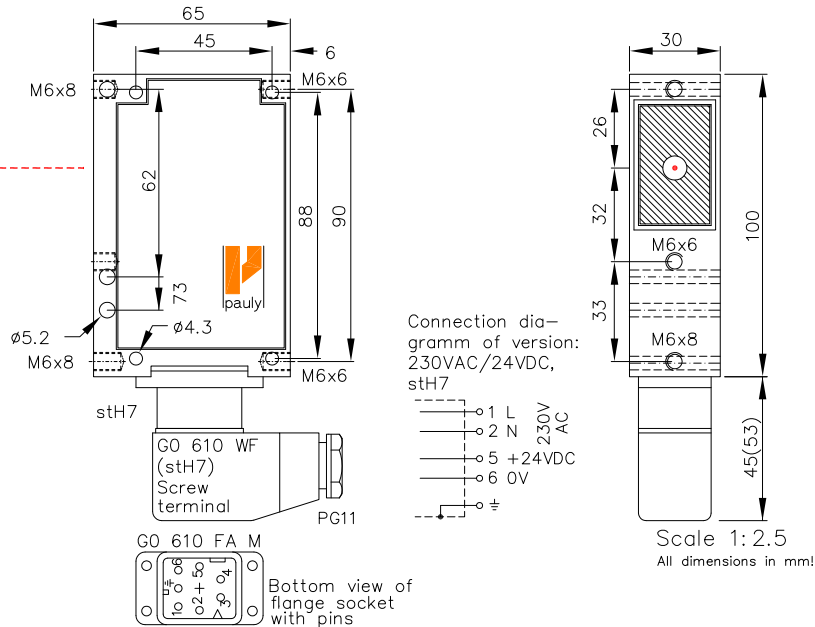


Laser pointer Type LP1901



Laser pointer

LP1901

Order no.:

7830

Technical characteristics of minimum type:

Housing	Al-Cast
Weight	approx. 350g
Protection mode	IP65
Connection	6+1 pin Plug stH7
Supply	24VDC \pm 20%/<50mA 230VAC/0,8VA
Beam power	max. 1mW
Laser class	2 (in conformity with DIN EN 60825-1)
Transmitter light	Diode-Laser 635...650nm
Light beam diameter	5m: <5mm 20m: <15mm
Ambient temperatur	-25...+60°C

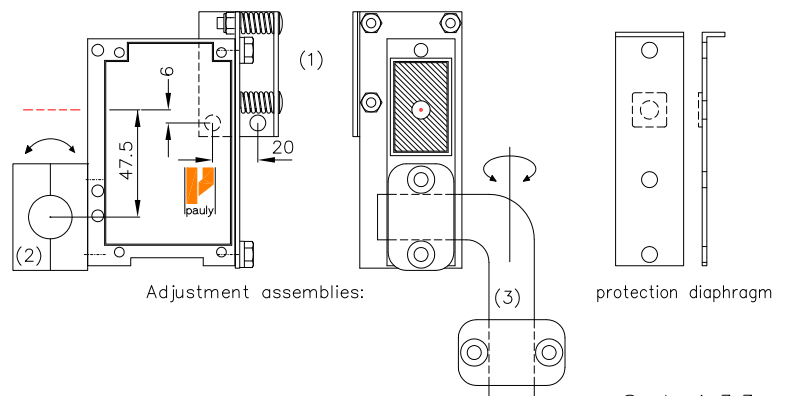
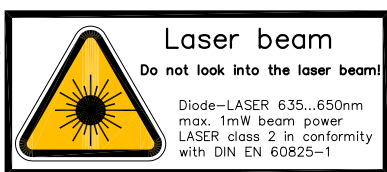
Features:

Connection	4 pin Plug stLU4 4+1 pin Plug stA5 4+1 wire No.-Cable K5
Supply	115V, 42...48V, 24VAC 12VDC 16...230VUC
Other beam power on request	
Other beam diameter on request	
If using cooling water flange, then milled wall, y	

Accessories:

Adjustment flange JF19H(1)
Elbow tube adjustment JR19(2&3)
Cooling water flange KW19
Anti heat shield & anti dust tube (K)JT19
protection diaphragm with plexiglass pane

safety reference:



Scale 1: 3.3
All dimensions in mm!

7830 DE (13.04.05 tb)
E_7830_1 24.03.09 tb
(26.09.03 gs)
(18.02.05 m)