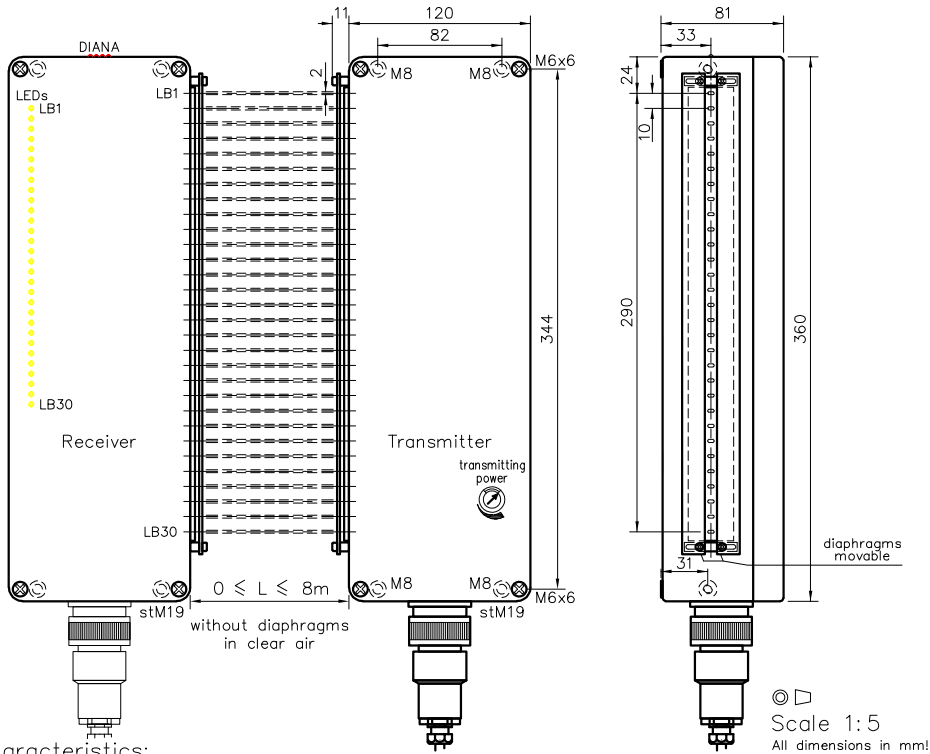
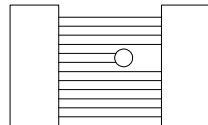


Measuring & Switching Light-Grid Type PMG6761231211+2+6/290/10/300x30/-/20/30

0 ... 8m

Measuring & Switching Light-Grid

PMG67...30

Order no.: 5967M06

Technical Characteristics:

- Housing: Al-Cast
- Weight: T. & R.: 2x approx. 4,1kg
- Control unit: approx. 4,5kg incl. conn.-cable
- Protection mode: IP65
- Supply: 24VDC/~3A without load
- Connection: terminal block in control unit
- Operation mode: Master counter in control unit
- Steady light resistance: > 80kLx
- Interference suppression: forced synchronization
- Access time: ~4ms/switch transition
- Output: ueanalog: 2x quantized 4...20mA
digital: pnp 60mA s.c.-prot., e2
- Signal mode: e2-output bright-/darkswitching, selectable
- Time delay: e2-output 0-1s, switching-on-off-delay, separately adjustable, z1
- Resolution: ~10mm, ~0,53mA each step
- Switch indicator: LEDs in receiver & control unit
- Level indicator: DIANA in receiver, i
- Transmitter light: 850...880nm; invisible
- Ambient temperature: -25...+60°C

Accessories:

Control unit PMG6761231211+2+6/290/10/300x30/-/20/30ST incl. 5 & 20m connection cable, 5 & 20m

Special Design:

Output: analogue, quantized 0...10V
Heat-protected optical system, p1

Accessories: (optional):

Heat resistant connection cable up to 20m
Heavy adjustment flange R153SH*01
Special filters

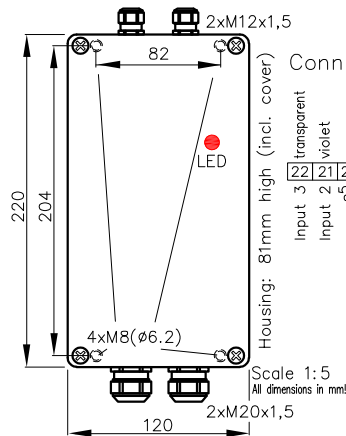
The design and make of the devices and their electronics are intellectual property of the company "Fotoelektrik Pauly GmbH". Internal circuit diagrams can, for copyright reasons, not be given therefore. Subject to technical alterations. Errors excepted. The reprinting of this data sheet or the copying of extracts from it are allowed only with the approval of the "Fotoelektrik Pauly GmbH" and with an indication of the sources used. Infringements are punishable by law.

Note:

Please use supplement for adjustment!

Control unit PMG676...30ST:

Dimension sketch:



Connection diagram:

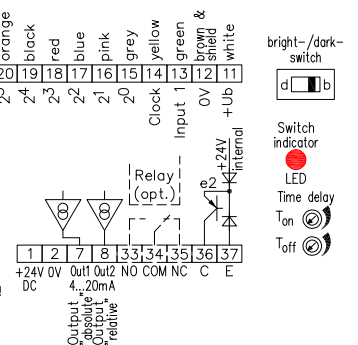


Diagram output current:

