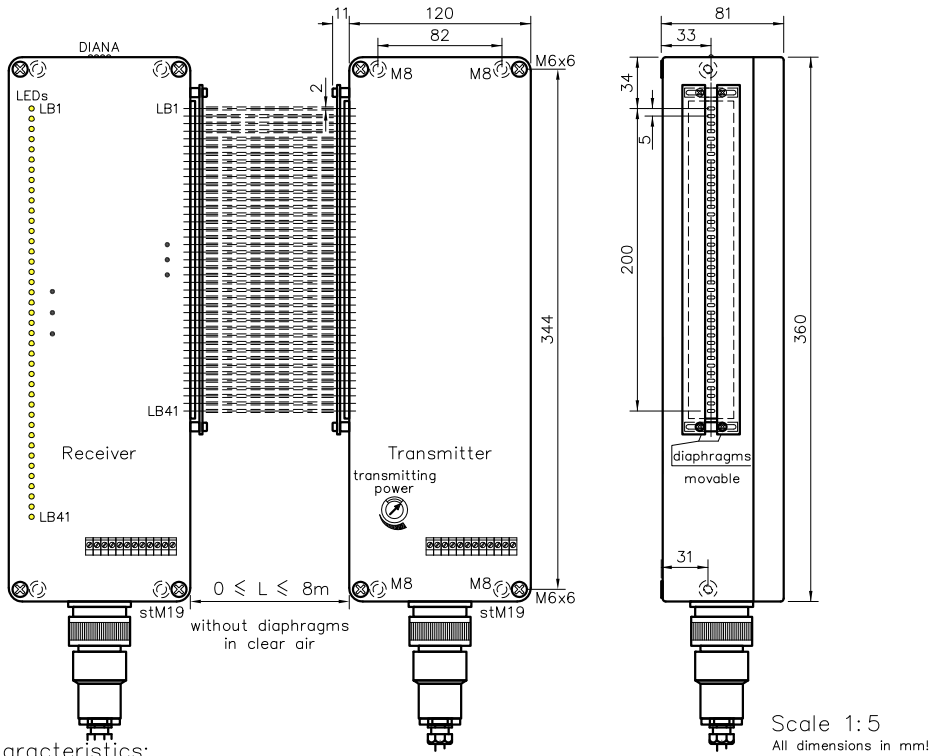
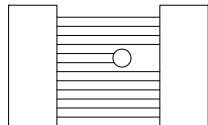


## Measuring & Switching Light-Grid Type

PMG6761231211+2+6/200/5/210x30/-/20/41

0 ... 8m

Measuring & Switching Light-Grid

PMG67...41

Order no.: 5967M05

### Technical Characteristics:

- Housing: Al-Cast
- Weight: T. & R. 2x approx. 4,1kg
- Control unit: approx. 4,5kg with conn.-cable
- Protection mode: IP65
- Supply: 24VDC/~3A without load
- Connection: terminal block in control unit
- Operation mode: Master counter in control unit
- Steady light resistance: > 80kLx
- Interference suppression: forced synchronization
- Access time: ~6ms/switch transition
- Output: analogue: 2x quantized 4...20mA  
digital: pnp 60mA s.c.-prot., e2
- Signal mode: e2-output bright-/darkswitching, selectable
- Time delay: e2-output 0-1s, switching-on-off-delay, separately adjustable, z1
- Resolution: ~5mm, ~0,39mA each step
- Switch indicator: LEDs in receiver & control unit
- Level indicator: DIANA in receiver, i
- Transmitter light: GaAs, 880nm; invisible
- Ambient temperature: -25...+60°C

### Accessories:

Control unit PMG6761231211+2+6/200/5/210x30/-/20/41ST with 5 & 20m heat resistant connection cable

### Special Design:

Output: analogue, quantized 0...10V  
Heat-protected optical system, pl

### Special Design (optional):

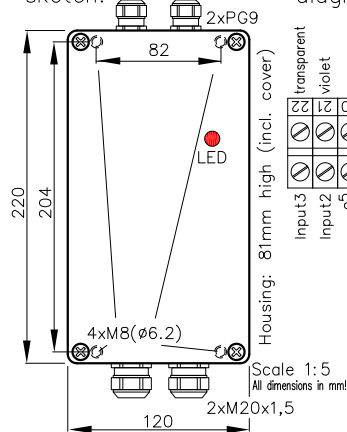
Connection cable up to 20m  
Heavy adjustment flange R153SH\*01  
Special filters

### Note:

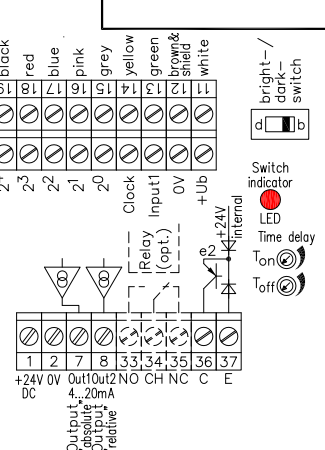
Please use supplement for adjustment.

### Control unit PMG676...41ST:

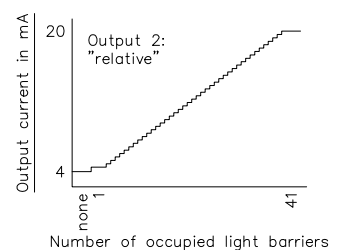
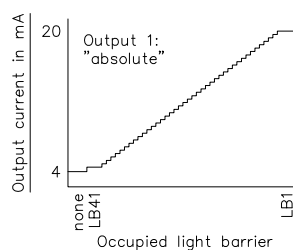
Dimension sketch:



Connection diagram:



### Diagram output current:



5967M05 E  
L 5967 1 5  
(03.12.07 tb)  
(09.04.08 tb)