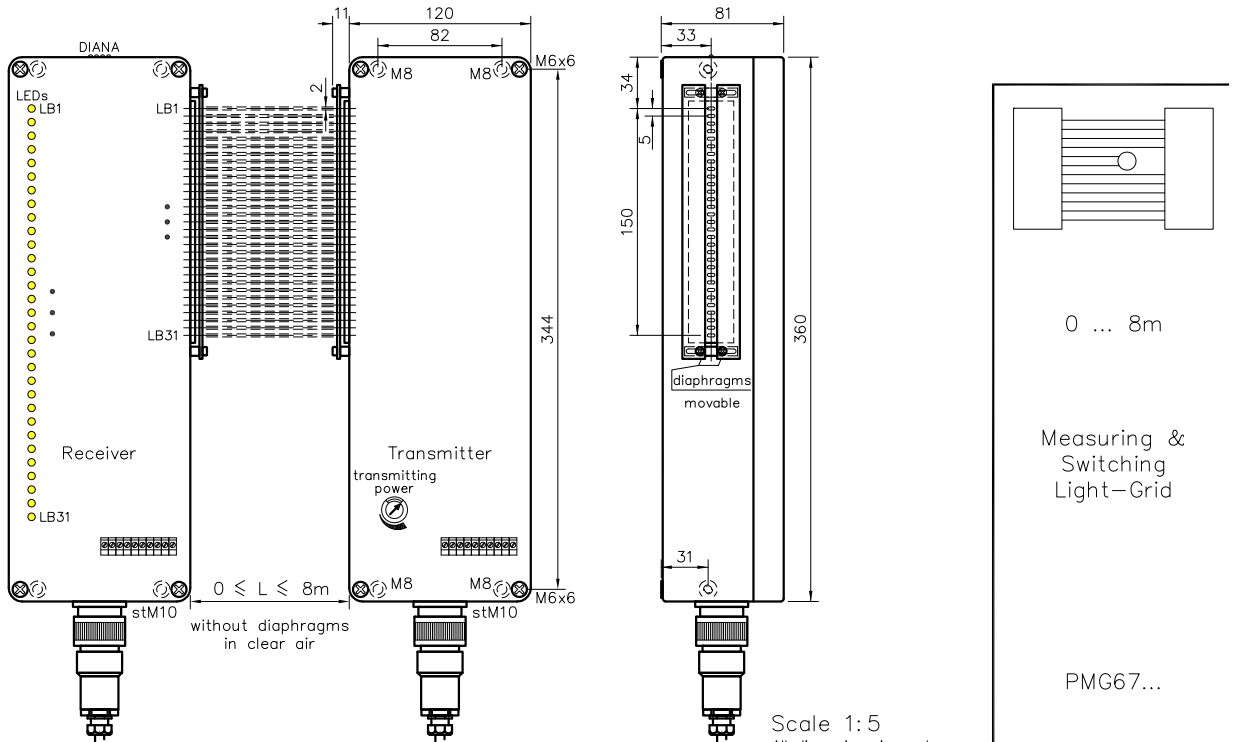


Measuring & Switching Light-Grid Type PMG6761231211+2/150/5/160x30/-/20/31



Technical Characteristics:

Housing	Al-Cast
Weight	T. & R. 2x approx. 3,2kg
Control unit	approx. 3,9kg with conn.-cable
Protection mode	IP65
Supply	24VDC/~2A without load
Connection	terminal block in control unit
Operation mode	Master counter in control unit
Steady light resistance	> 80kLx
Interference suppression	forced synchronization
Access time	~4ms/switch transition
Output	analogue: 2x quantized 4...20mA digital: pnp 60mA s.c.-prot., e2
Signal mode	e2-output bright-/darkswitching, selectable
Time delay e2-output	0-1s, switching-on-off-delay, separately adjustable, z1
Resolution	~5mm, ~0,52mA each step
Switch indicator	LEDs in receiver & control unit
Level indicator	DIANA in receiver, i
Transmitter light	GaAs, 880nm; invisible
Ambient temperature	-25...+60°C

Accessories:

Control unit PMG6761231211+2/150/5/160x30/-/20/31ST with 5 & 20m heat resistant connection cable

Special Design:

Output analogue, quantized 0...10V
Heat-protected optical system, pl

Special Design (optional):

Connection cable up to 20m
Heavy adjustment flange R153SH*01
Special filters

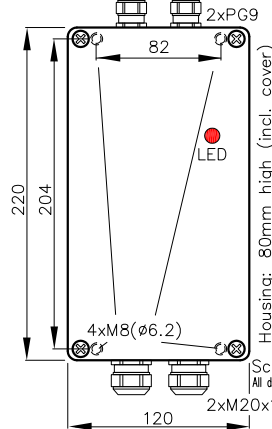
The design and make of the devices and their electronics are intellectual property of the company "Fotoelektrik Pauly GmbH & Co. KG". Internal circuit diagrams can, for copyright reasons, not be given therefore. Subject to technical alterations. Errors excepted. The reprinting of this data sheet or the copying of extracts from it are allowed only with the approval of the "Fotoelektrik Pauly GmbH & Co. KG" and with an indication of the sources used. Infringements are punishable by law.

Note:

Please use supplement for adjustment.

Control unit PMG676.../...ST:

Dimension sketch:



Connection diagram:

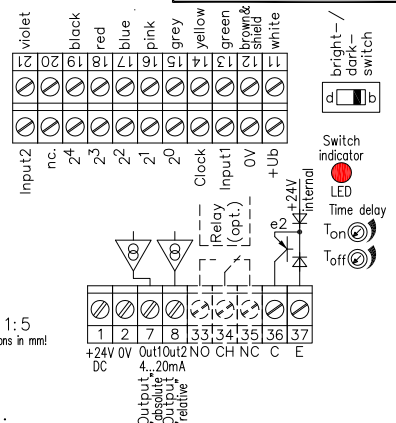


Diagram output current:

