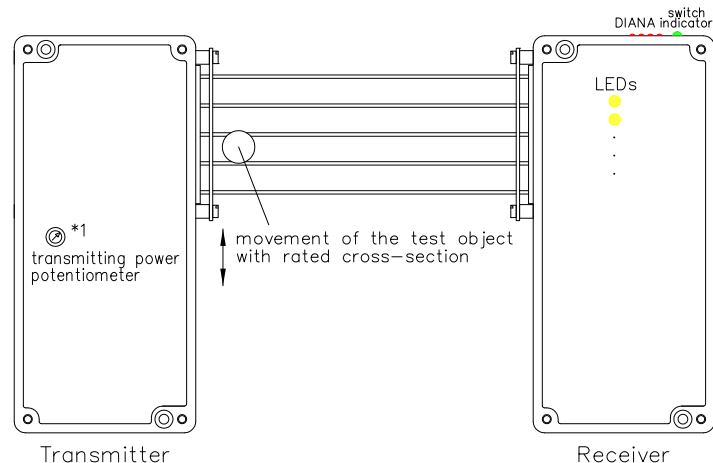


Supplement to the data sheets for the light-grid types: PLG 2... to 9... and PMG 2... to 9 with output potentiometer in the transmitter



Instructions for adjustment:

1. Mount the transmitter and receiver and, if applicable, the control device at their appropriate places.
2. Complete all of the installations necessary for the light-grid to be able to work.
3. Connect the power supply in the control device or, if the system to be mounted requires no control device, in the appropriate optical unit.
4. Turn the potentiometer counterclockwise (*1) in the transmitter until it stops (maximum transmitting power).
5. Adjust the transmitter and receiver such that all of the internal LEDs in the receiver are lit (make sure the light path is free!).
6. Turn the potentiometer clockwise (*1) in the transmitter (reduction of transmitting power) until one or even more of the internal LEDs in the receiver go out.
7. Try, through fine adjustment of the transmitter and the receiver, to get all of the internal LEDs in the receiver to light up again.
8. Repeat points 5. to 7. until optimum adjustment quality has been reached.
9. Check the desired rated resolution according to the sketch above.
10. In order to achieve the largest pollution reserves, turn (increase transmitting power) the potentiometer in the transmitter counterclockwise (*1) so that when a test object with a rated cross-section passes through the light cross-section – passing closely by the transmitter and receiver – no flickering of the output signal in the transmitter, i.e. receiver occurs.

Anmerkung:

Forced switching can result at times in a reverse in the direction of actuation of the transmitting power potentiometer. For this reason please compare the direction of rotation marked here with (*1) with the direction of rotation indicated on the lid sticker or in the data sheet of the device.

Instructions for use:

Only use transmitters and receivers with identical type designations.