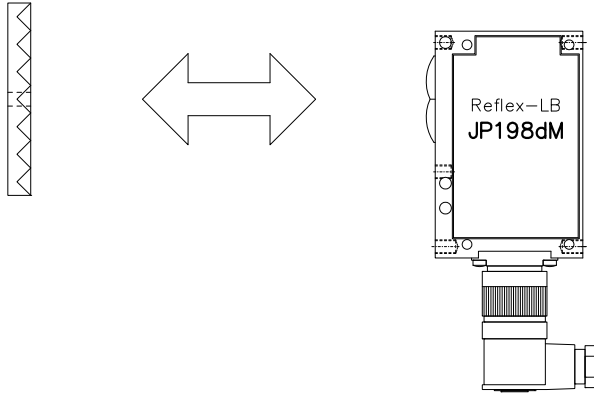
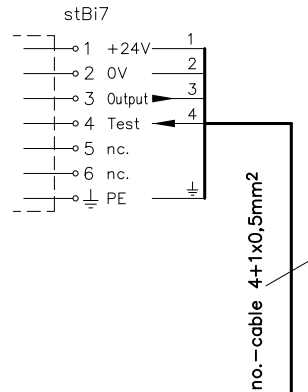


Connection diagram for PP2128ST*01 with JP198dM



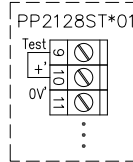
Test function (Input "Test"):

Light barrier active - Input to 18...28V
 Light barrier off - Input to 0...5V or open circuit

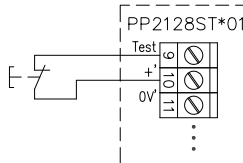


Suggestion for connecting test input PP2128ST*01:

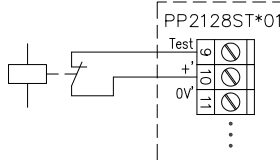
Jumper (factory-set):



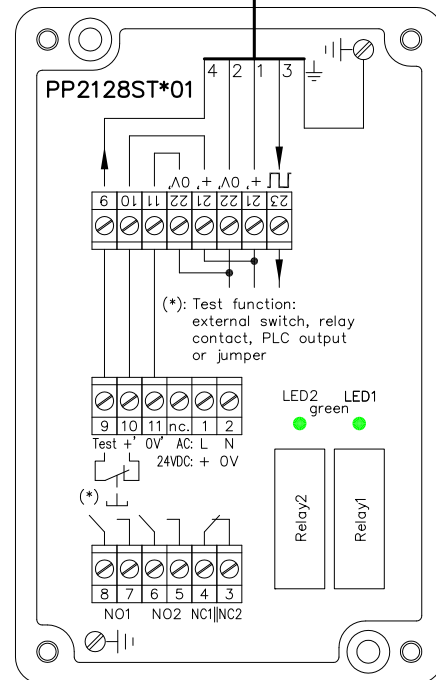
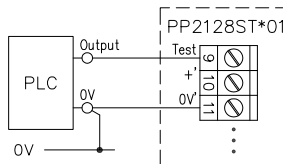
Switch:



Relay:



PLC output:



The relay contacts 3/4, 5/6 and 7/8 must be fused externally with maximum 6A! The parallel NC contact pair to 3/4 may only be used for signalling purposes! The closing contacts 5/6 and 7/8 may only be used in series connection! Exception: The instructions for the following safety switchgear.