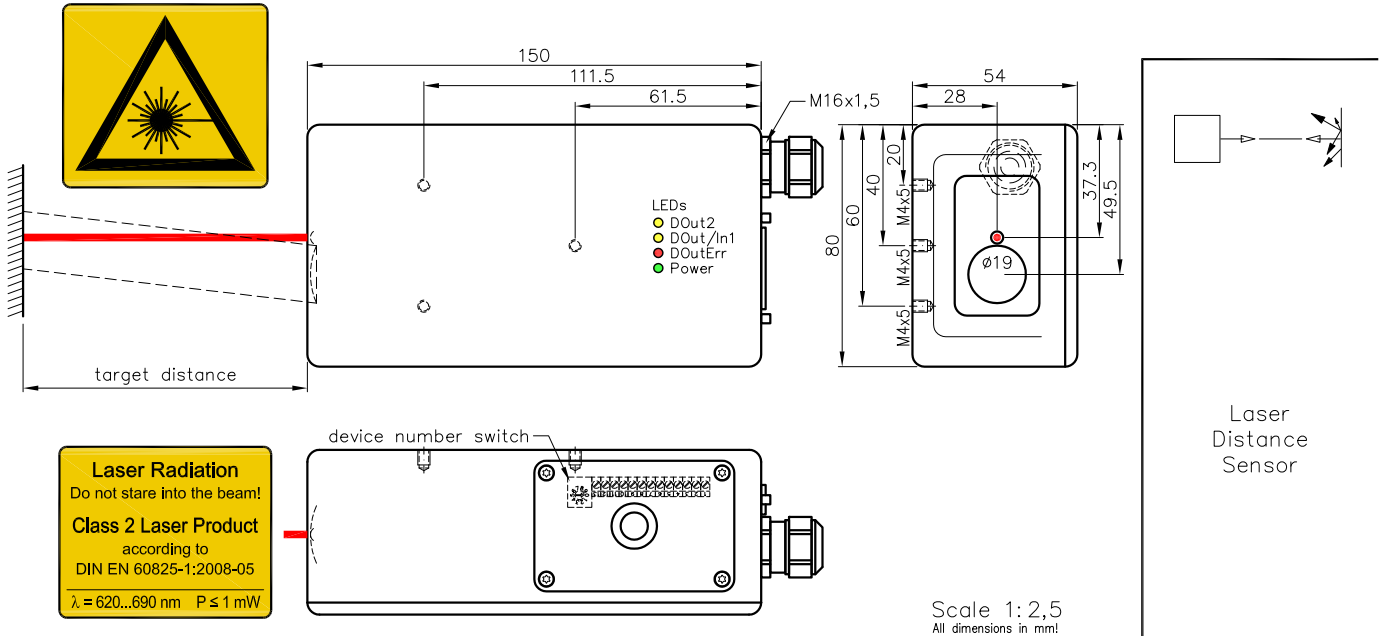


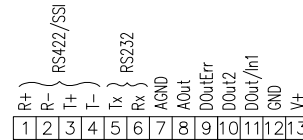
## Laser Distance Sensor Type PLDM1030(H)



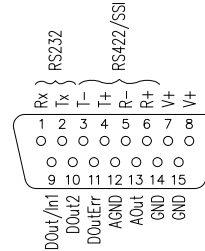
### Technical Characteristics:

Housing	Al-Cast
Weight	approx. 720g
Protection mode	IP65
Connection	plug & terminal strip
Supply	standard: 9...30VDC/600mA version ...H: 24...30VDC/2500mA
Output	1x serial async. interface RS232 1x serial async. interface RS422 1x SSI output 1x prog. analog output 0/4...20mA 2x programmable digital output 1x programmable digital input 1x digital output for error status
Transmitter light	650nm, visible
Radiant power	max. 0,95mW, Class 2 (DIN EN 60825-1:2008-05)
Beam diameter	4mm@5m, 8mm@10m, 15mm@30m
Typical measuring accuracy	± 3mm@2m
Measurement time	single: typical 0,3...4s (*) tracking: typical 0,004...4s (*)
	(*): the real measurement time depends on the chosen processing mode
Power indicator	LED green
Switch indicator	LEDs red, yellow
Operating Temperature	-10...+50°C (standard) -40...+50°C (with option h)

### Terminal strip connecting diagram:



### Plug conn. diagram:



### Signal description:

V+, GND	:Supply
AOut	:Analog output 0/4...20mA
AGND	:Analog ground
DOut/In1	:Digital input or output 1
DOut2	:Digital output 2
DOutErr	:Digital output error status
R+, R-	:RS422 receive lines or SSI clock input lines
T+, T-	:RS422 transmit lines or SSI data output lines
Rx	:RS232 receive line
Tx	:RS232 transmit line

### Hint:

Please refer to the manual for details of the sensor.

PLDM1030  
PLDM1030H

Order no.:

4901  
4901H

4901 DE (01.12.16 tb)  
E\_4901\_1 (31.03.17 tb)  
(18.06.15 tb) 04.03.20 tb  
(15.06.16 tb)

### Accessories:

- Optical filters
- Adjustment flange JFBEC2
- Elbow tube adjustment ADPLDM1030SS1
- Rain roof RDPLDM1030
- Cooling water flange

### Options:

- Version with heating: PLDM1030H (#4901H)
- Typical measuring accuracy ± 1mm@2m (PLDM1010)
- Field Bus (Profibus)

The design and make of the devices and their electronics are intellectual property of the company "Fotoelektrik Pauly GmbH". Internal circuit diagrams can, for copyright reasons, not be given therefore. Subject to technical alterations. Errors excepted. The reprinting of this data sheet or the copying of extracts from it are allowed only with the approval of the "Fotoelektrik Pauly GmbH" and with an indication of the sources used. Infringements are punishable by law.