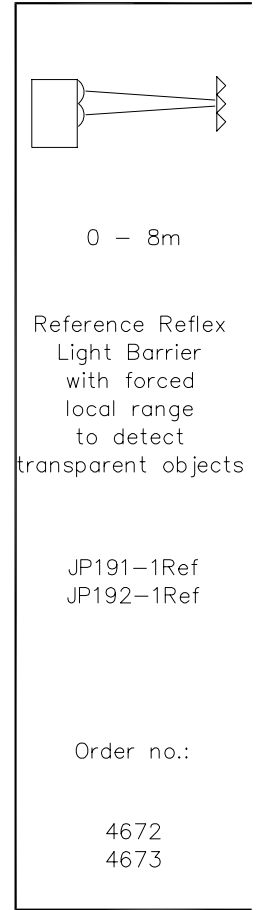
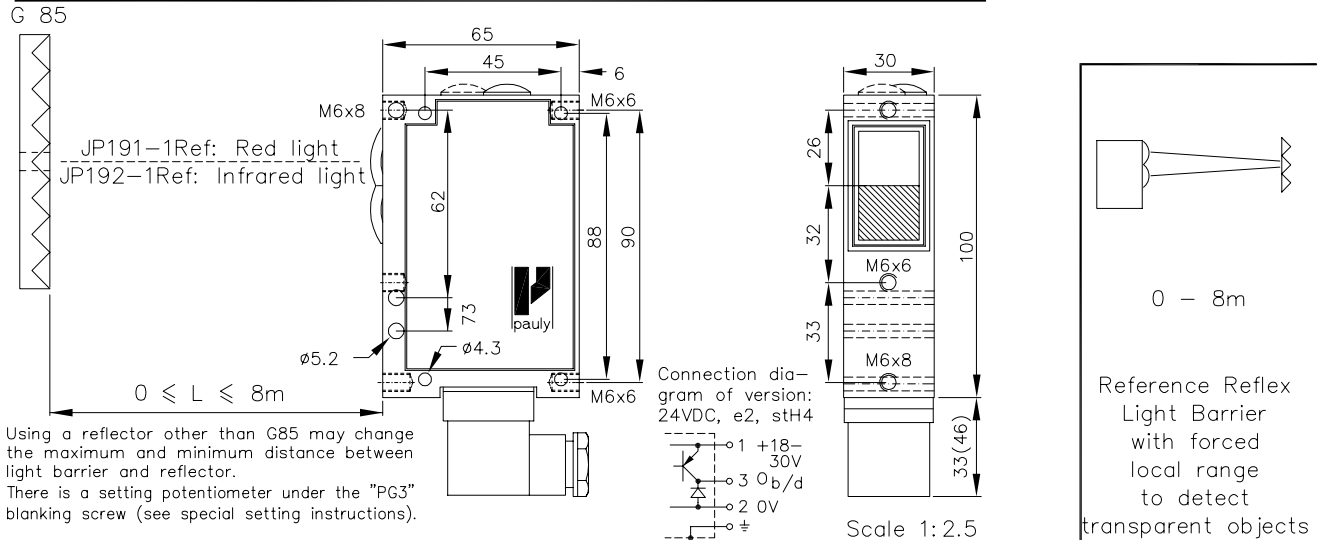


Reference Reflex Light Barrier with forced local range to detect transparent objects types JP191-1Ref and JP192-1Ref



Technical characteristics of the minimum version:

Housing	cast aluminium
Weight	approx. 350g
Protection mode	IP65
Connection	3+1 pin Plug stH4
Supply	24VDC/40mA without load
Output	pnp 60mA s.c.-prot., e2
Signal mode	bright/dark, selectable
Transmitter	JP191-1Ref:LED 650nm (visible)
	light JP192-1Ref:LED 880nm (invisible)
Steady light resistance	>80kLx
Interference suppress.	forced synchronization
Light beam diameter	approx. 85mm/6m
Access time	<12ms/switch transition
Switching rate	40/s, Relay: 10/s
Switch indicator	LED green
Level Indicator	4 LEDs red (DIANA)
Ambient temperatur	-25...+60°C

Features:

Connection	4 pin Plug stLU4 4+1 pin Plug stA5 6+1 pin Plug stA7 6+1 pin Plug stH7 3+1 wire no.-cable K4 2x3 wire no.-cable 2K3
Supply	230V, 115V, 42..48V, 24VAC 24..230VUC
Output	nnp 60mA s.c.-prot., e2 Optocoupler 60V/50mA,e1 Relay 240VAC/5A, 120W/1200VA, 1xCh, R also: 2xe2/2xe3 or antival. e4/e5
Access time	"a": <2ms/switch transition
Switching rate	"q": 300/s, Relay: 10/s
Time delay	0...10 s, switching-on-off-delay, separately adjustable,z10

Accessories:

- Reflectors
- Diaphragms, special filters
- Adjustment flange JF19H(1)
- Elbow tube adjustment JR19(2&3)
- Cooling water flange KW19
- Heat shield & anti-dust tube (K)JT19

Heat-protected optical system, pl
If using cooling water flange, then milled wall, y
Testable by connecting a test input to 0V, t
Dynamic time delay, dyn Z

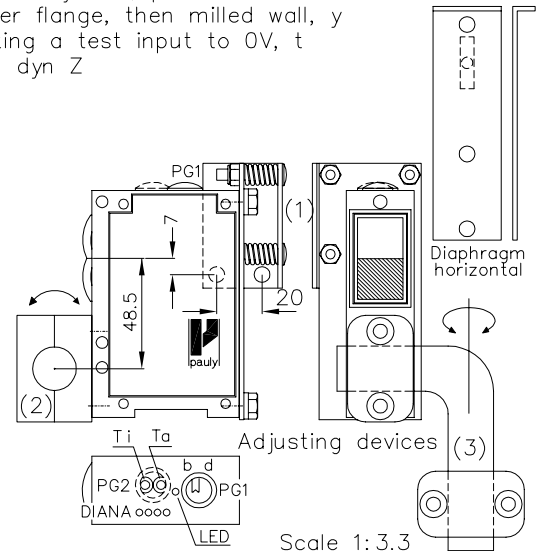
Hints:

Selection of bright/dark switching mode is standard. The selection switch can be reached after removing the blanking screw designated 'PG1'. Bright switching means that the output (here the pnp transistor) is operated when the transmitter light is received by the receiver after being reflected by the reflector. The switch indicator LED for the working contact always lights when the output is energised.

The on- (Ti) and off- (Ta) delay are optional. Turning the controls behind 'PG2' clockwise increases delay times. The delay time range is between approx. 0 and 10 secs. Other delays are available on request.

The level indicator 'DIANA' (Digital ANALog indicator) is standard. DIANA shows the level approx. 20 to 25 times above the threshold signal. For proper operation of the light barrier it is not necessary to have all DIANA LEDs on!

E_467x 1.TXT



4672 DE
E_4672_1
(16.06.03 gs)
18.02.05 (m)