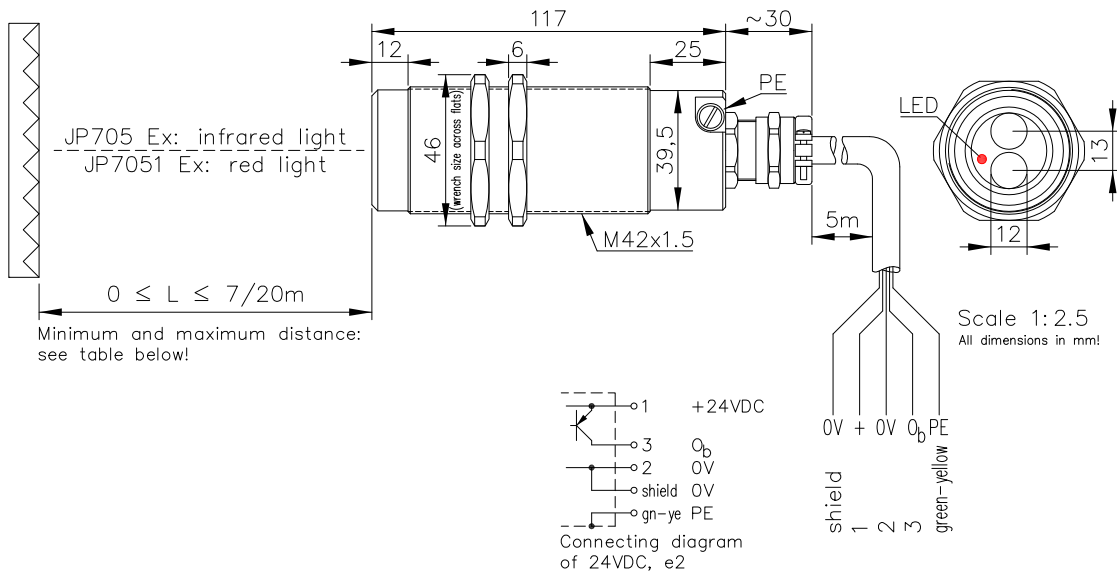



(Infra-)Red-Light Reflex Light Barrier Types JP705 Ex & JP7051 Ex





0...7/20m

Reflex
Light Barrier

JP705 Ex
JP7051 Ex

Order no.:

4130
4130M01

Technical Characteristics:

Housing	VA
Housing dimension	M42x1.5 x ~147mm
Weight	approx. 1500g (incl. 5m cable)
Protection mode	IP66
Ex marking	gas: Ex II 2G Ex d IIC T6 Gb dust: Ex II 2D Ex tb IIIC T80°C Db IP66
Certificate No.	ATEX: BVS 08 ATEX E 122 X IECEX: IECEX BVS 12.0029X
Connection	5m No.-cable, 4x0.75mm ² , shielded
Supply	24VDC/40mA/<1W without load
Output	npn 60mA s.c.-prot., e2
Signal mode	brightswitching
Transmitter light	JP705 Ex: LED 850...880nm, invisible JP7051 Ex: LED 650nm, visible
Steady light resistance	>80kLx
Interference suppress.	Forced synchronization
Access time	<12ms/Switch transition
Switching rate	~40/s
Switch indicator	LED green
Ambient temperature	-20°C ≤ Ta ≤ +60°C

Special design:

Output	npn 60mA s.c.-prot., e3
Signal mode	darkswitching ,d

Accessories:

- Reflector (see table below)
- Adjustment flange JFM42, #8664
- Elbow tube adjustment ADM42SS1, #8665
- Adjustment help JH1, #7111
- Diaphragms, optical filter
- Anti dust tube

Working ranges:

Reflector	Order no.:	Distance
1R100B Ex	6501	approx. 0,3 ≤ L ≤ 20m
GR50S	6430	approx. 0 ≤ L ≤ 16m
R20x40B	6203	approx. 0,3 ≤ L ≤ 8m
R104	6120	approx. 0,3 ≤ L ≤ 7m
WR60	6425	approx. 0,8 ≤ L ≤ 7m

4130 DE (24.04.12 tb) 24.08.17 tb
 E_4130_1 (07.05.12 tb)
 (20.01.10 tb) (16.05.12 tb)
 (17.02.12 tb) (03.05.13 tb)