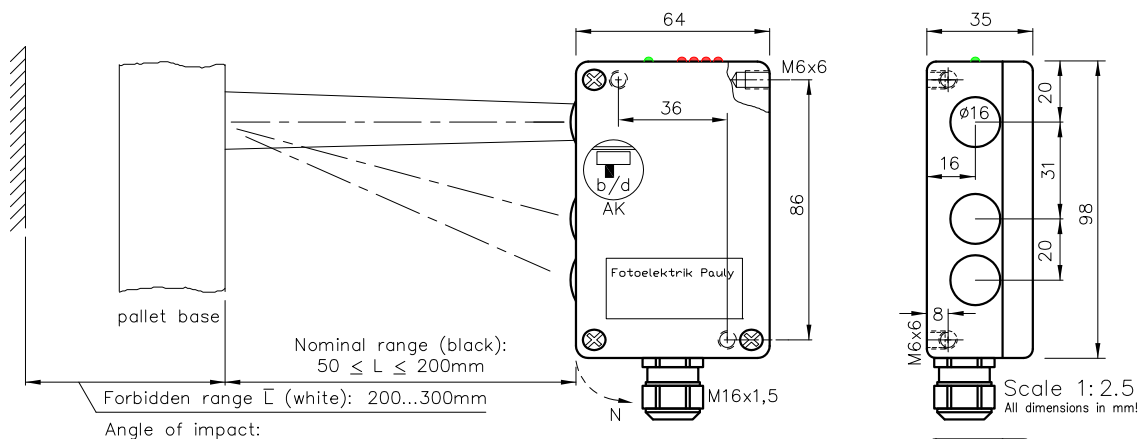
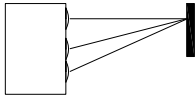


Diffuse-Reflective Sensor Type JP105RFZ.2 with passive Background Response Suppression

50...200mm

Diffuse-Reflective
Sensor for Shelf
Allocation Control
with passive
Background
Response
Suppression

JP105RFZ.2

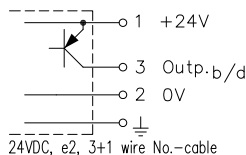
Order No.:

1410

Note:

1. Diffuse Reflective surfaces are reliably detected even when the detecting beam's angle of incidence deviates sharply from 90°.
2. Reflective surfaces can considerably impair the detecting quality.
3. However, reflective surfaces can still be recognised beyond the forbidden distance \bar{L} ; slightly tilting the sensor helps. Tilting should only be done in the direction of the "N" arrow.
4. In the case of cylindrical detecting objects the sensor beams should be directed onto the surface line as far as possible.
5. Minimal requisite surface:
white: >2mm²; black: >15mm²

Connection:



Technical characteristics:

Housing	Al-Cast
Weight	approx. 450g
Protection mode	IP65
Connection	4+1 wire No.-cable
Supply	24VDC/50mA without load
Output	pnp 60mA s.-c.-prot., e2
Signal mode	bright-/darkswitching, selectable
Transmitting light	LED 850...880nm, invisible
Steady light resistance	>80kLx
Interference suppression	Force synchronization
Access time	~12ms/Switch transition
Switching rate	40/s (Relay:10/s)
Switch indicator	LED
Ambient temperature	-25...+60°C

Features:

Connection	4 pole plug stLU4
Output	4+1 pole plug stLU5
	nnp 60mA s.-c.-prot., e3
	Optocoupler 60V/50mA, e1
	Relay 250VAC/5A, 120W/1200VA, 1xCh, R
Access time	"q": ~2ms/Switch transition
Time delay	"q": 300/s (Relay:10/s)
Detection range	up to 300/400/500/600/(700)mm
Level indicator	DIANA, i
Heat protected transducer system, pl	

Accessories:

Adjustment flange JF11H(1)

Description of the application:

1410 DE (24.11.05 tb)
E_1410_1 (08.05.14 tb)
(04.06.03 gs) (14.05.14 tb)
(18.02.05 m) 18.04.19 tb