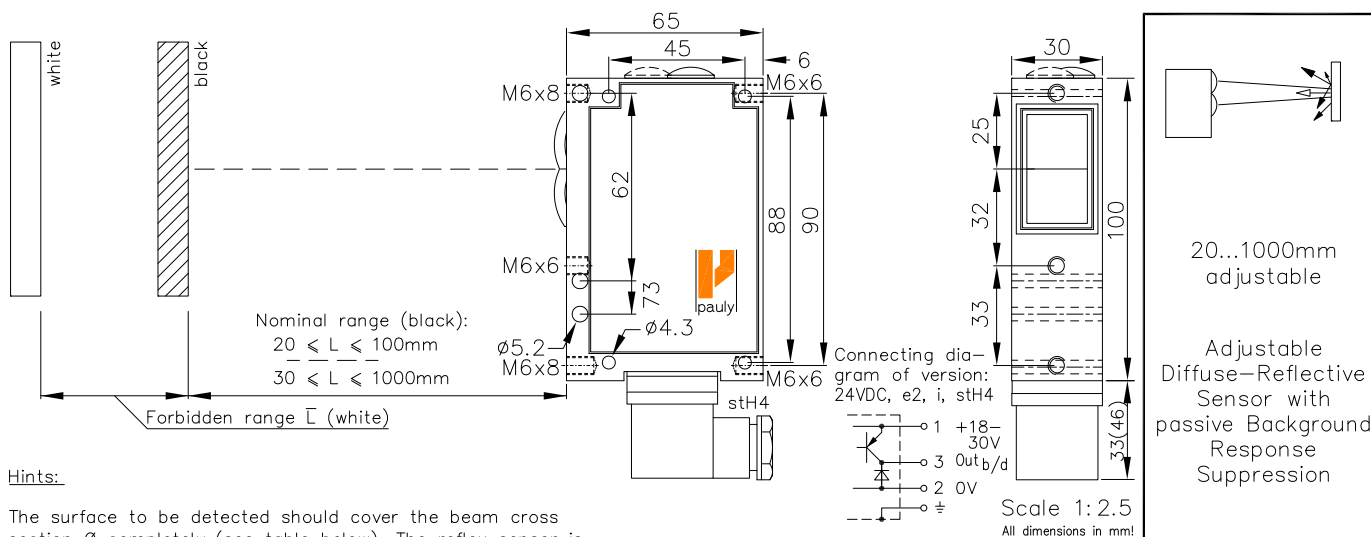


Adjustable Diffuse-Reflective Sensor with passive Background Response Suppression

Type EP192/800



Nominal range (black):
 $20 \leq L \leq 100\text{mm}$
 $30 \leq L \leq 1000\text{mm}$

Forbidden range \bar{L} (white)

20...1000mm adjustable
 Adjustable Diffuse-Reflective Sensor with passive Background Response Suppression

EP192/800

Order no.:

1269

Hints:

The surface to be detected should cover the beam cross section ϕ completely (see table below). The reflex sensor is adjusted by activating the screw located behind the PG1 cover. In a clockwise direction L becomes larger. The optimum setting is found by bringing a diffuse Reflective surface (paper) into the light path. Approximately in the center between the maximum desired detection distance L and the "forbidden" distance \bar{L} and then adjusting the reflex sensor so that it turns off just at this precise point. The "forbidden" distance \bar{L} are in general $<L+50\%$. Diffuse Reflective surfaces are themselves reliably recognizable under beam incidence angles which sharply deviate from 90° . On reflective surfaces the detection quality can be considerably impaired. However, reflective surfaces can still be recognized beyond the forbidden distance \bar{L} ; slightly tilting the detection helps.

The ON (Ti) and OFF delay (Ta) is available on request. The delay time is increasable by adjusting the potentiometer in a clockwise direction. The potentiometer is located inside the housing. The adjustable time interval lies between 0 and approximately 3 seconds. Other time intervals are available on request: 1 second, 10 second and 20 second.

DIANA (Digital ANaloge Anzeige -digital analog indicator) indicates approximately 20-fold levels above the response threshold. It is not necessary that all DIANA LEDs light up in order for a proper function of the reflex sensor! Beyond the switching range (green off), the DIANA may show the level under the switching threshold.

Accessories:

- Cooling water flange KW19
- Adjustment flange JF19H (1)
- Elbow tube adjustment JR19 (2&3)
- Heat shield & anti dust tube (K)JT19
- Diaphragms, Optical filters

Features:

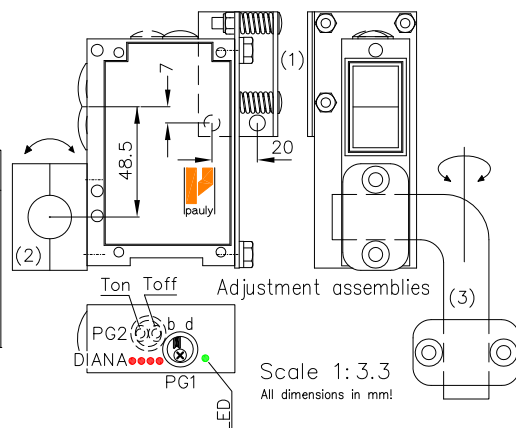
- Connection: 4 pin plug stLU4, 4+1 pin Plug stA5, 6+1 pin Plug stA7, 4+1 wire no.-cable K4
- Supply: 230V, 115V, 42...48V, 24V AC
- Output: npn 60mA s.c.-prot., e3, Optocoupler 60V/50mA, e1, Relay 240VAC/5A, 120W/1200VA, 1xCh, R
- Access time: "q": <2ms/switch transition
- Switching rate: "q": 300/s, Relay 10/s
- Time delay: 0-10s, switching-on-off-delay, separately adjustable, z10
- If using cooling water flange, then milled wall, y
- Heat protected transducer system, pl

Technical characteristics:

Housing	Al-Cast
Weight	approx. 350g
Protection mode	IP65
Connection	6+1 pin Plug stH7
Supply	24VDC/60mA without load
Output	nnp 60mA s.c.-prot., e2
Signal mode	bright-/darkswitching selectable
Transmitter light	GaAs 880nm, invisible
Steady light Resist.	>80kLx
Interference Suppress.	Force synchronization
Access time	<12ms/switch transition
Switching rate	40/s
Switch indicator	LED green
Level indicator	4x LED red (DIANA, i)
Ambient temperatur	-25...+60°C

L/mm	\bar{L} /mm	ϕ /mm
20 - 100	170	15
20 - 150	250	23
25 - 200	350	28
25 - 300	550	30
30 - 500	850	35
30 - 800	1400	45
30 - 1000	2000	60

L: Working range on black
 \bar{L} : Blanking depth on white
 ϕ : Light beam dia.
 (only approx. values)



1269 DE (08.05.14 tb)
 E-1269 1 (15.01.03 gs)
 (18.02.05 m)