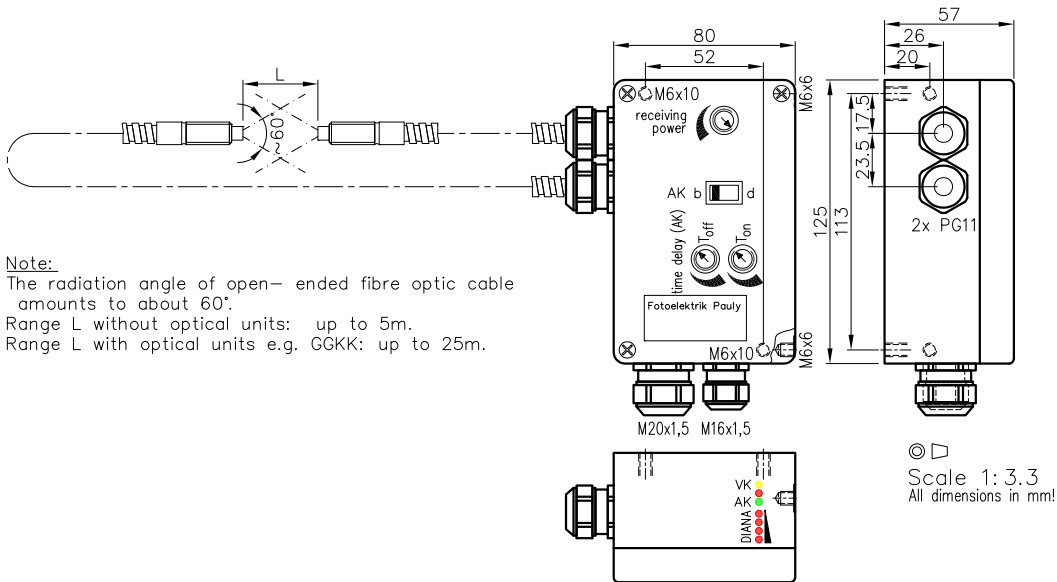
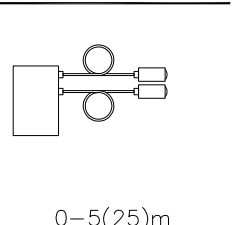


Light Barrier Type JU103/4GFK for Glass Fibre Optic Cable Connection with 'intelligent' Pollution Warning Output



Note:
The radiation angle of open-ended fibre optic cable amounts to about 60°.
Range L without optical units: up to 5m.
Range L with optical units e.g. GGKK: up to 25m.



0-5(25)m

Light Barrier for glass fibre optic cable connection with 'intelligent' Pollution Warning Output

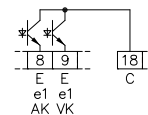
JU103/4GFK

Order no.:
1137

Connection diagramm:



Connection diagramm optocoupler (e1, optional):



Technical characteristics:

Housing	Al-Cast
Weight	approx. 700g
Protection mode	IP65
Connection	Terminal block
Supply	24VDC/80mA without load
Output	2x pnp 60mA s.-c.-prot., e2
Signal mode	bright-/darkswitching, selectable (only AK)
Transmitter light	LED 850..880nm, invisible
Steady light resistance	>80KLx
Interference suppressor	Force synchronization
Access time	<12ms/switch transition
Switching rate	electron.: 40/s; Relay: 10/s
Switch indicator	LED's green, red & yellow
Level indicator	4x LED red
Ambient temperature	-25...+60°C

Features:

Connection	Plug, no.-cable
Supply	230VAC, 115VAC, 42...48VAC
Output	2x Optocoupler 60V/50mA, e1
	2x Relay 250VAC/10A, 2500VA, 1xCh, R
Access time	"q": <2ms/switch transition
Switching rate	"q": 300/s, Relay: 10/s
Time delay	Switching-on-off-delay, separately adjustable (only AK), z...
Level indicator	Driver for external DIANA, i-i3x or i-i5x
	If using cooling water flange, then milled wall, y

Notes:

Outputs: The switching equipment for the Pollution Warning Output (VK, yellow LED) is switched if, subsequent to an interruption in light beam (red LED on) and the light path being free again (AK, green LED on), dirt or clogging causes the signal level to be under five times the minimum level (red and green LED on) and the light beam is then interrupted again. At this point in time, the light barrier is still fully functional. As soon as dirt has been removed (green LED on, red LED off), the dirt indicator (yellow LED) switches off.
Terminal blocks: Cage clamp; Stripped conductor length 8..9mm; Conductor cross section 0,25...2,5mm² (with insulated ferrule up to 1,5mm² only); actuated by screwdriver 2,5x0,4mm.

Accessories:

- Fibre optic cable GFK...
- Optical units e.g. A-GFK, At-GFK or GGFK
- Cooling water flange KW26

Optic unit accessories:

- Diaphragms
- Optical filters
- Adjustment flange
- Cooling water flange
- Anti dust tube
- Reflectors for reflex optics

The design and make of the devices and their electronics are intellectual property of the company "Fotoelektrik Pauly GmbH". Internal circuit diagrams can, for copyright reasons, not be given therefore. Subject to technical alterations. Errors excepted. The reprinting of this data sheet or the copying of extracts from it are allowed only with the approval of the "Fotoelektrik Pauly GmbH" and with an indication of the sources used. Infringements are punishable by law.

1137 DE (18.06.13 tb)
 E_1137_1 (16.12.03 gs)
 (21.02.05 m)