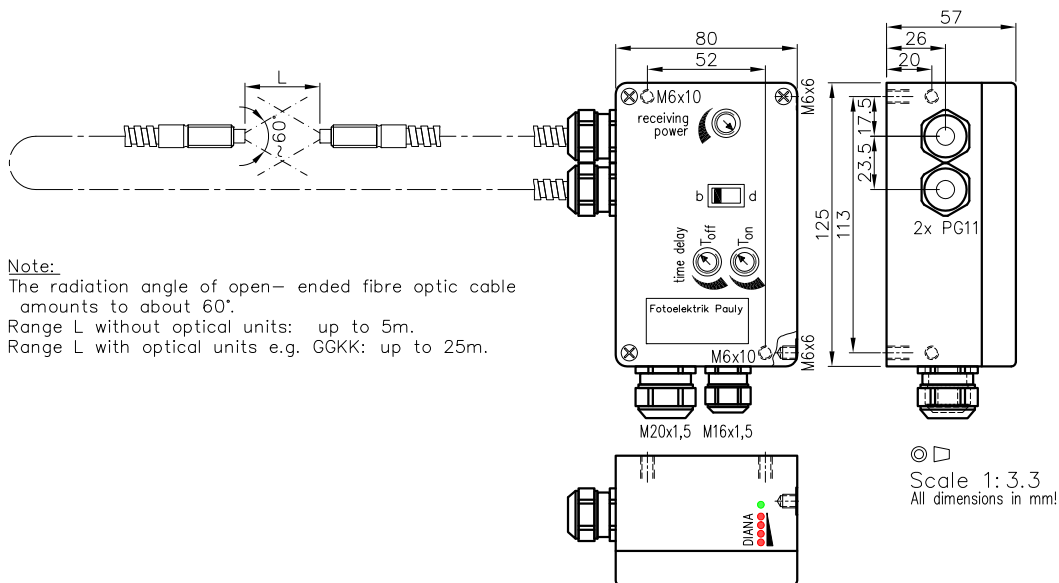
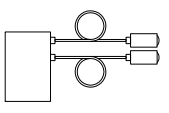


Light Barrier Type JP103/4GFK for Glass Fibre Optic Cable Connection



Note:
The radiation angle of open-ended fibre optic cable amounts to about 60°.
Range L without optical units: up to 5m.
Range L with optical units e.g. GGKK: up to 25m.

Scale 1: 3.3
All dimensions in mm!



0-5(25)m

Light Barrier for glass fibre optic cable connection

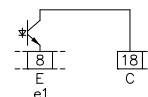
JP103/4GFK

Order no.:
1107

Connection diagramm:



Connection diagramm optocoupler (e1, optional):



Technical characteristics:

Housing	Al-Cast
Weight	approx. 700g
Protection mode	IP65
Connection	Terminal block
Supply	24VDC/60mA without load
Output	pnp 60mA s.-c.-prot., e2
Signal mode	bright-/darkswitching, selectable
Transmitter light	LED 850...880nm, invisible
Steady light resistance	>80kLx
Interference suppressor	Force synchronization
Access time	<12ms/switch transition
Switching rate	electron.: 40/s; Relay: 10/s
Switch indicator	LED green
Level indicator	4x LED red
Ambient temperature	-25...+60°C

Features:

Connection	Plug, no.-cable
Supply	230VAC, 115VAC, 42...48VAC
Output	Optocoupler 60V/50mA, e1 Relay 250VAC/10A, 2500VA, 1xCh, R
Access time	"q": <2ms/switch transition
Switching rate	"q": 300/s, Relay: 10/s
Time delay	Switching-on-off-delay, separately adjustable, z...
Level indicator	Driver for external DIANA, i-i3x or i-i5x
	If using cooling water flange, then milled wall, y

Notes:

Terminal blocks: Cage clamp; Stripped conductor length 8...9mm;
Conductor cross section 0,25...2,5mm² (with insulated ferrule up to 1,5mm² only); actuated by screwdriver 2,5x0,4mm.

Accessories:

Fibre optic cable GFK...
Optical units e.g. A-GFK, At-GFK or GGFK
Cooling water flange KW26

Optic unit accessories:

Diaphragms
Optical filters
Adjustment flange
Cooling water flange
Anti dust tube
Reflectors for reflex optics

The design and make of the devices and their electronics are intellectual property of the company "Fotoelektrik Pauly GmbH". Internal circuit diagrams can, for copyright reasons, not be given therefore. Subject to technical alterations. Errors excepted. The reprinting of this data sheet or the copying of extracts from it are allowed only with the approval of the "Fotoelektrik Pauly GmbH" and with an indication of the sources used. Infringements are punishable by law.

1107 DE
E_1107_1
(16.12.03 gs)
(21.02.05 m)