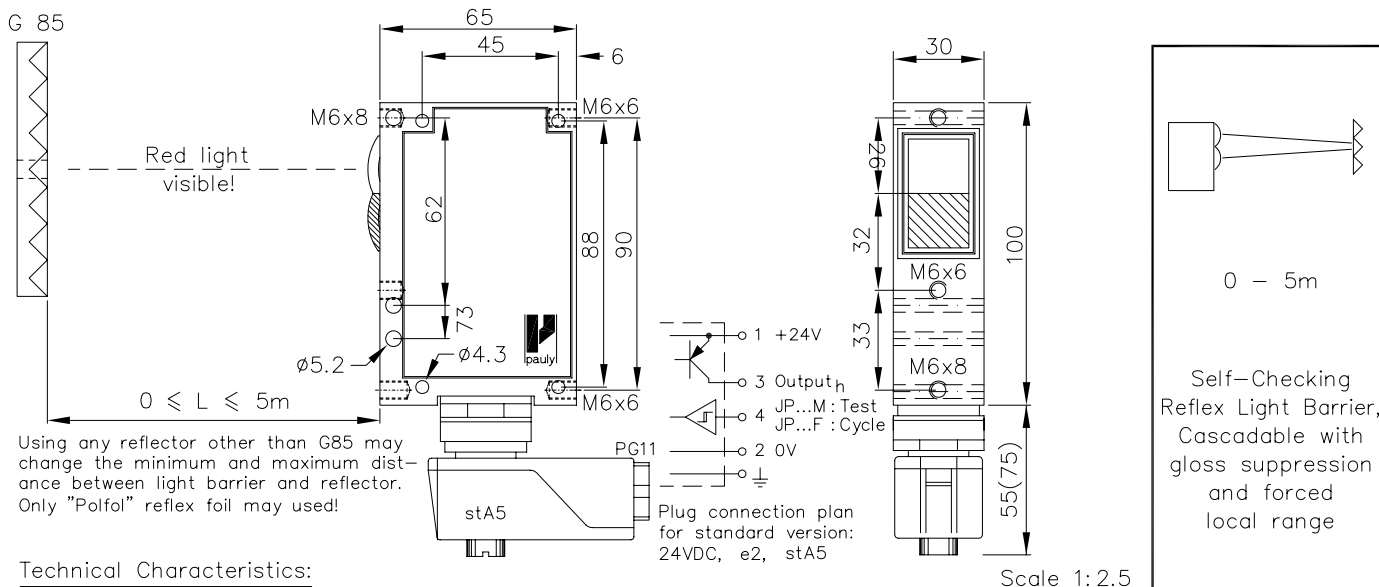


Self-Checking Red-Light Reflex Light Barrier, Cascadable with gloss suppression and forced local range Type JP198-1



Technical Characteristics:

Housing	cast aluminium
Weight	approx. 350g
Protection mode	IP65
Connection	4+1 pin Plug stA5
Supply	24VDC/70mA without load
Output	pnp 60mA s.c.-prot. e2
Signal mode	square wave, ~ 6:6 ms
Transmitting light	LED 650nm
Steady light resistance	>80kLx
Interference suppress.	Force synchronization
Gloss suppression	Polarized light
Light-beam diameter	approx. 90mm/5m
Switch indicator	LED, green
Level indicator	DIANA, i
Ambient temperature	-25...+60°C

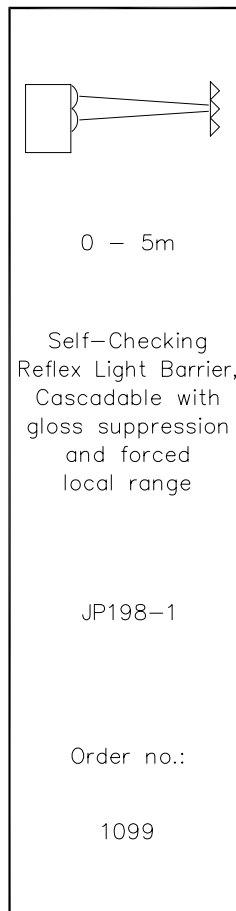
Caution!

To operate, the test input (JP198-1M) must be connected to the operating voltage Ub! Please observe our wiring suggestion for the automatic test with restart inhibit!

Features:

Connection	4 pin Plug stLU4
	6+1 pin Plug stH7
	6+1 pin Plug stA7
	5+1 wire no.-cable K6

Heat-protected optical system, pl
If using cooling water flange, then milled wall, y



Accessories:

- Control unit with self-checking relay, type PP2128ST or PP2129ST
- Reflectors
- Diaphragms, Optical filters
- Cooling water flange KW19
- Anti heat shield & anti dust tube (K)JT19
- Adjustment flange JF19H(1)
- Elbow tube adjustment JR19(2&3)

Notes on use:

This light barrier is principally used as a safety light barrier. A control unit with self-checking relay, e.g. PP2128ST, is necessary for this. The special feature here is that several light barriers are cascaded together. The output of one device drives the following at its input. The first device has the designation JP198-1M and is externally testable, whereby the following devices have the following designation JP198-1F and are not testable. The output of the Last device is directed into the control unit.

The input "test" (JP198-1M) at the first device makes it possible to test the entire system.

Terminal test connected to 0V = device turned off, Terminal test connected to +operating voltage = device working.

In the arrangement as light grill it must be ensured in all cases that the distances between the light barriers side by side or above each other are large enough that a transmitter between the light barriers above each other are large enough that a device does not influence another because otherwise the safety function will not be guaranteed. The level indicator "DIANA" (Digital ANALog indicator) indicates approximately 20 to 25 times the levels above the response threshold. It is not necessary to have all DIANA LED's on for the light barrier to function perfectly. *E_ 1099 1.TXT*

The design and make of the devices and their electronics are intellectual property of the company "Fotoelektrik Pauly GmbH & Co. KG". Internal circuit diagrams can, for copyright reasons, not be given therefore. Subject to technical alterations. Errors excepted. The reprinting of this data sheet or the copying of extracts from it are allowed only with the approval of the "Fotoelektrik Pauly GmbH & Co. KG" and with an indication of the sources used. Infringements are punishable by law.

