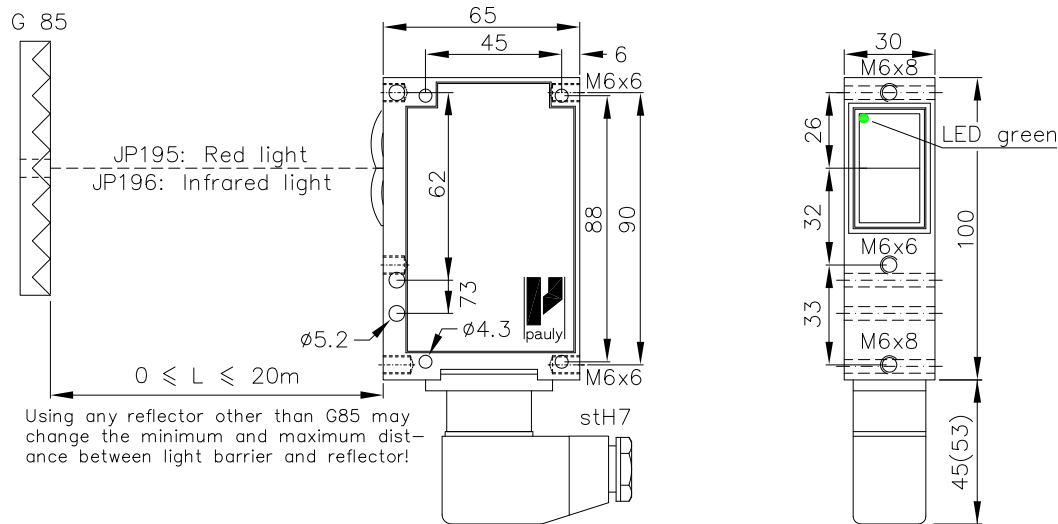
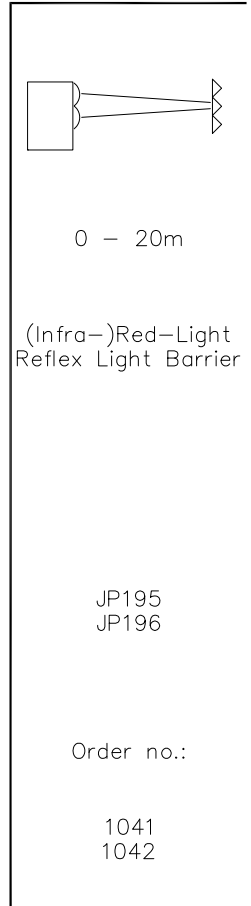


## (Infra-)Red-Light Reflex Light Barrier Types JP195 & JP196



Scale 1: 2.5  
All dimensions in mm!

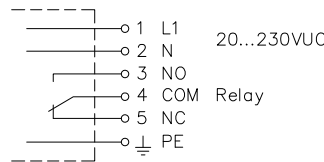


### Technical characteristics of minimum type:

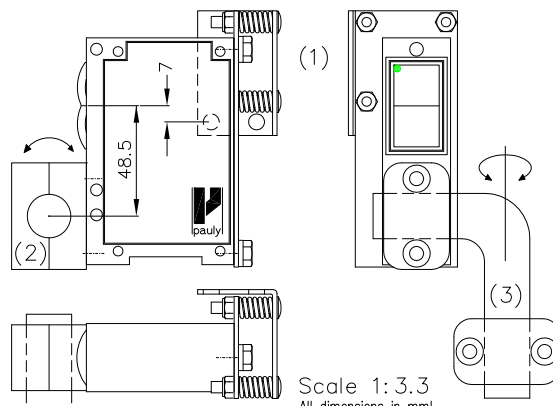
Housing	Al-Cast
Weight	approx. 350g
Protection mode	IP65
Connection	6+1 pin plug stH7
Supply	20...230VUC/~2VA
Output	Relay 240VAC/5A, 120W/1200VA, 1xCh.
Signal mode	brightswitching
Transmitter light	JP195: LED 650nm, visible JP196: LED 880nm, invisible
Steady light resistance	>80kLx
Interference suppress.	Force synchronization
Light beam diameter	approx. 85mm/6m
Access time	<12ms/Switch transition
Switching rate	~10/s
Switch indicator	LED green
Ambient temperatur	-30...+65°C (90°C*)

\*Exceeding the temperature for a short time does not usually impair functioning

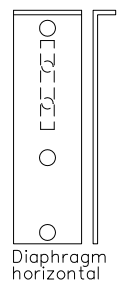
### Connection diagramm:



### Adjustment assemblies:



### Diaphragm:



### Features:

Signal mode darkswitching

### Accessories:

- Reflectors
- Diaphragm
- Adjustment flange JF19H(1)
- Elbow tube adjustment JR19(2&3)
- Anti heat shield & anti dust tube (K)JT19

1041 D E 26.10.15 tb

E 1041 1  
(15.03.02 tb)  
(18.02.05 m)